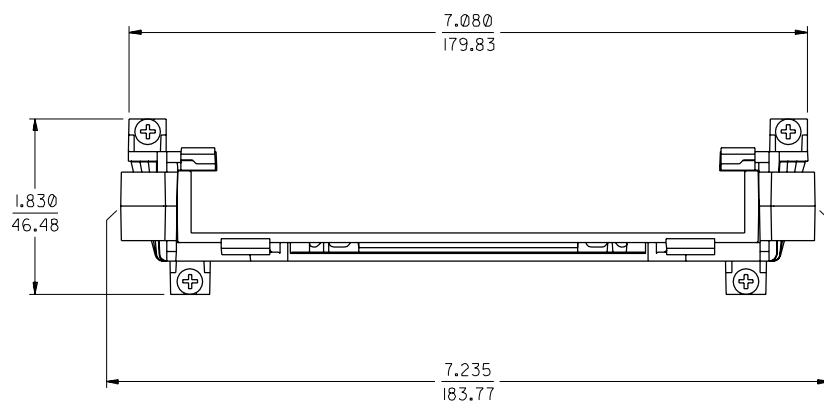


NOTES:

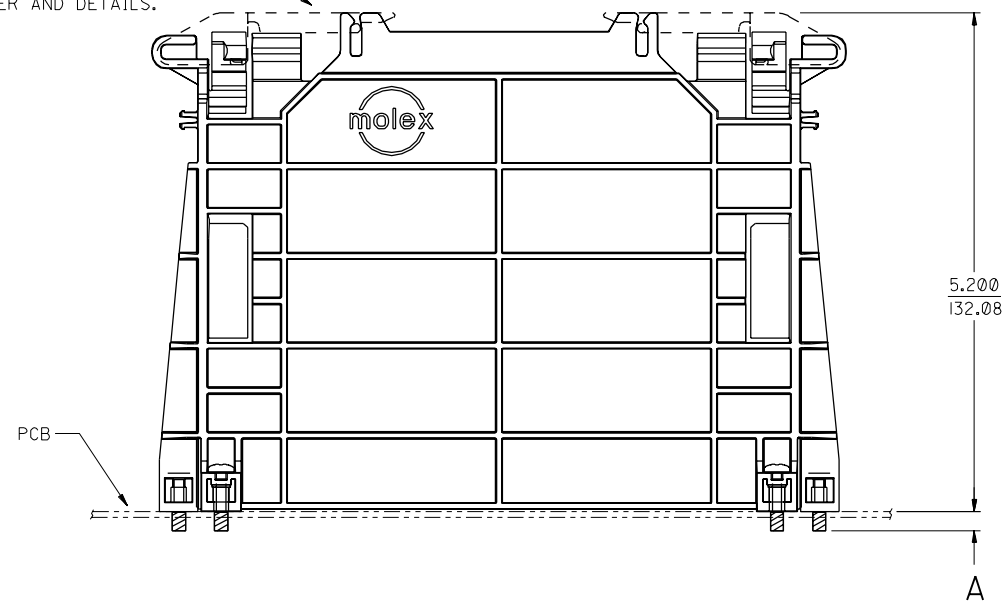
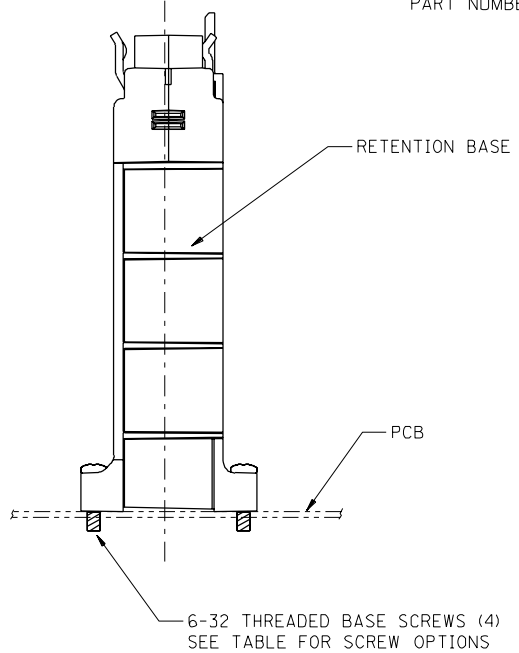
1. MATERIALS:
 BASE SCREWS - STEEL
 ALL OTHERS - THERMOPLASTIC
 COLOR: BLACK
2. FINISH: BASE SCREWS - NI PLATED
3. PRODUCT SPECIFICATION: PS-73940-999
4. APPLICATION SPECIFICATION: AS-73940-997
5. THIS HARDWARE PACKAGE IS FOR USE WITH MOLEX SLOT 2 CONNECTOR AND INTEL PENTIUM II XEON (DS2P) CARTRIDGE.
6. SEE SHEET 2 FOR PC BOARD HOLE PATTERN AND EXPLODED ASSEMBLY VIEW.



← THERMAL PLATE SIDE OF CARTRIDGE

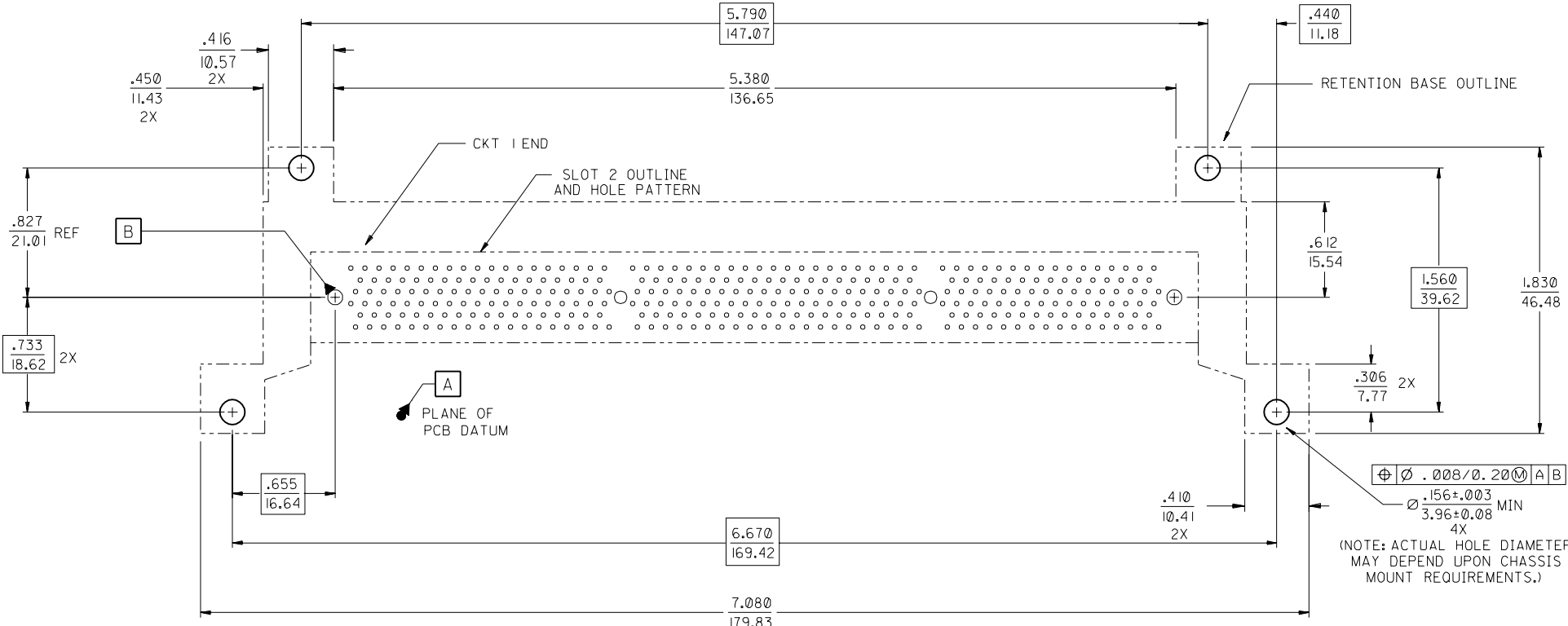
CL OF CONNECTOR

LATCHES (NOT INCLUDED) MUST BE MOUNTED IN THE HOLES IN THE CARTRIDGE. SEE DRAWING SD-73973-001 FOR LATCH PART NUMBER AND DETAILS.



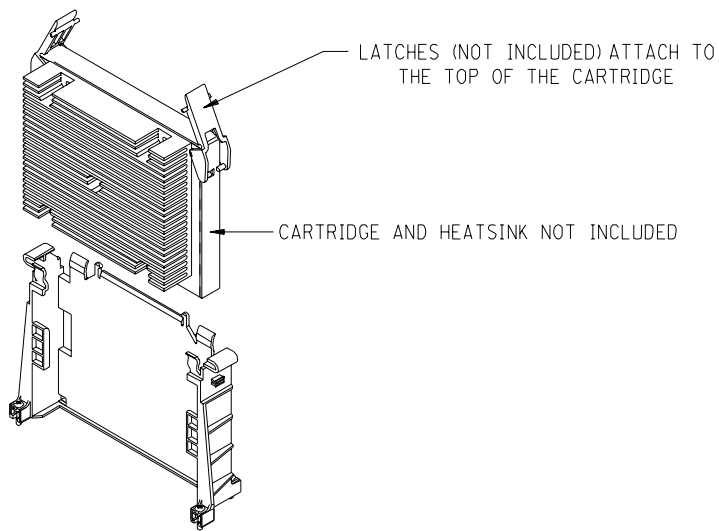
SHORT	73940-0001	73975-0001	.200/5.08
LONG	73940-0002	73975-0002	.600/15.24
SCREW OPTION	ASSEMBLY NO.	SCREW NO.	A

REVISED PER EC No. UDT2000-0027 DRWN: MCGOWAN 99/07/13 CHK: RESENDEZ 99/07/13 APPR: NELSON 99/07/13	QUALITY SYMBOLS MAJOR = \emptyset CRITICAL = ∇	GENERAL TOLERANCES: (UNLESS SPECIFIED) mm INCH 4 PLACES ±0. -- ±. -- 3 PLACES ±0. -- ±.015 2 PLACES ±0.38 ±. -- 1 PLACE ±0. -- ±. -- ANGULAR: ± 1/2°	SCALE 1:1 DESIGN UNITS <input type="checkbox"/> mm <input checked="" type="checkbox"/> INCH THIRDS ANGLE PROJECTION DRAWN BY & DATE LAURX 98/01/06 CHECKED BY & DATE LAURX 98/01/06 APPROVED BY & DATE NELSON 98/01/07	DIMENSIONS: <input type="checkbox"/> mm <input checked="" type="checkbox"/> INCH <input type="checkbox"/> mm ONLY TITLE: SLOT 2 - SRM MODULE SUPPORT HARDWARE SALES DRAWING MOLEX INCORPORATED	SHEET NO. 2 REV B REVISE ON CAD ONLY
	CAD FILENAME S7394001.DGN	MATERIAL NO. SEE TABLE	DRAWING NO. SD-73940-001	SHEET NO. 1 OF 2	
	DRAFT WHERE APPLICABLE MUST REMAIN WITHIN DIMENSIONS			THIS DRAWING CONTAINS INFORMATION THAT IS PROPRIETARY TO MOLEX INCORPORATED AND SHOULD NOT BE USED WITHOUT WRITTEN PERMISSION.	
	REV B	SIZE C			

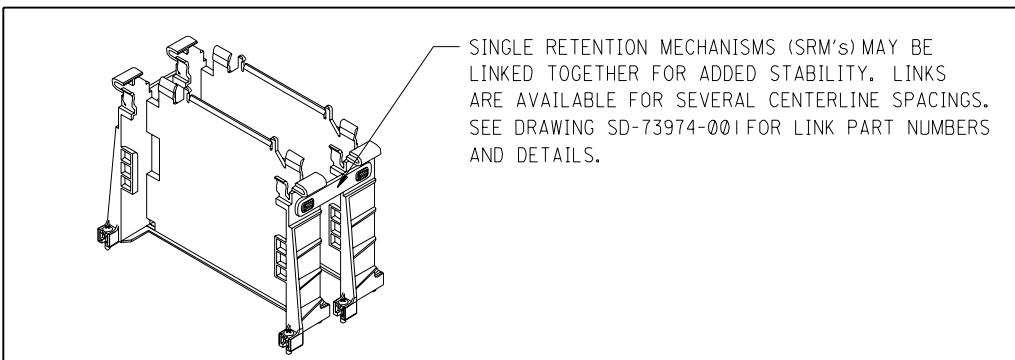


(NOTE: ACTUAL HOLE DIAMETER MAY DEPEND UPON CHASSIS MOUNT REQUIREMENTS.)

RECOMMENDED PCB LAYOUT (CONNECTOR SIDE)



EXPLODED ASSEMBLY VIEW
(DO NOT SCALE)



SEE SHEET 1	REV	QUALITY SYMBOLS	GENERAL TOLERANCES: (UNLESS SPECIFIED)		SCALE	DESIGN UNITS	DIMENSIONS:	SHT	REV
		MAJOR	mm	INCH	2 : 1	mm <input type="checkbox"/> INCH <input checked="" type="checkbox"/>			
		CRITICAL	4 PLACES ±0. -- ±. --		DRAWN BY & DATE	THIRD ANGLE PROJECTION		TITLE:	
		C	3 PLACES ±0. -- ±.015		LAURX 98/01/06	MATERIAL NO.		DRAWING NO.	
			2 PLACES ±0.38 ±. --		CHECKED BY & DATE	SEE TABLE		SD-73940-001	
			1 PLACE ±0. -- ±. --		APPROVED BY & DATE	MATERIAL NO.		DRAWING NO.	
			ANGULAR: ± 1/2°		NELSON 98/01/07	MATERIAL NO.		DRAWING NO.	
			DRAFT WHERE APPLICABLE MUST REMAIN WITHIN DIMENSIONS		CAD FILENAME	MATERIAL NO.		DRAWING NO.	
					S7394002.DGN	MATERIAL NO.		DRAWING NO.	
						SEE TABLE		SD-73940-001	
						MATERIAL NO.		DRAWING NO.	
						SEE TABLE		SD-73940-001	
						MATERIAL NO.		DRAWING NO.	
						SEE TABLE		SD-73940-001	
						MATERIAL NO.		DRAWING NO.	
						SEE TABLE		SD-73940-001	
						MATERIAL NO.		DRAWING NO.	
						SEE TABLE		SD-73940-001	
						MATERIAL NO.		DRAWING NO.	
						SEE TABLE		SD-73940-001	
						MATERIAL NO.		DRAWING NO.	
						SEE TABLE		SD-73940-001	
						MATERIAL NO.		DRAWING NO.	
						SEE TABLE		SD-73940-001	
						MATERIAL NO.		DRAWING NO.	
						SEE TABLE		SD-73940-001	
						MATERIAL NO.		DRAWING NO.	
						SEE TABLE		SD-73940-001	
						MATERIAL NO.		DRAWING NO.	
						SEE TABLE		SD-73940-001	
						MATERIAL NO.		DRAWING NO.	
						SEE TABLE		SD-73940-001	
						MATERIAL NO.		DRAWING NO.	
						SEE TABLE		SD-73940-001	
						MATERIAL NO.		DRAWING NO.	
						SEE TABLE		SD-73940-001	
						MATERIAL NO.		DRAWING NO.	
						SEE TABLE		SD-73940-001	
						MATERIAL NO.		DRAWING NO.	
						SEE TABLE		SD-73940-001	
						MATERIAL NO.		DRAWING NO.	
						SEE TABLE		SD-73940-001	
						MATERIAL NO.		DRAWING NO.	
						SEE TABLE		SD-73940-001	
						MATERIAL NO.		DRAWING NO.	
						SEE TABLE		SD-73940-001	
						MATERIAL NO.		DRAWING NO.	
						SEE TABLE		SD-73940-001	
						MATERIAL NO.		DRAWING NO.	
						SEE TABLE		SD-73940-001	
						MATERIAL NO.		DRAWING NO.	
						SEE TABLE		SD-73940-001	
						MATERIAL NO.		DRAWING NO.	
						SEE TABLE		SD-73940-001	
						MATERIAL NO.		DRAWING NO.	
						SEE TABLE		SD-73940-001	
						MATERIAL NO.		DRAWING NO.	
						SEE TABLE		SD-73940-001	
						MATERIAL NO.		DRAWING NO.	
						SEE TABLE		SD-73940-001	
						MATERIAL NO.		DRAWING NO.	
						SEE TABLE		SD-73940-001	
						MATERIAL NO.		DRAWING NO.	
						SEE TABLE		SD-73940-001	
						MATERIAL NO.		DRAWING NO.	
						SEE TABLE		SD-73940-001	
						MATERIAL NO.		DRAWING NO.	
						SEE TABLE		SD-73940-001	
						MATERIAL NO.		DRAWING NO.	
						SEE TABLE		SD-73940-001	
						MATERIAL NO.		DRAWING NO.	
						SEE TABLE		SD-73940-001	
						MATERIAL NO.		DRAWING NO.	
						SEE TABLE		SD-73940-001	
						MATERIAL NO.		DRAWING NO.	
						SEE TABLE		SD-73940-001	
						MATERIAL NO.		DRAWING NO.	
						SEE TABLE		SD-73940-001	
						MATERIAL NO.		DRAWING NO.	
						SEE TABLE		SD-73940-001	
						MATERIAL NO.		DRAWING NO.	
						SEE TABLE		SD-73940-001	
						MATERIAL NO.		DRAWING NO.	
						SEE TABLE		SD-73940-001	
						MATERIAL NO.		DRAWING NO.	
						SEE TABLE		SD-73940-001	
						MATERIAL NO.		DRAWING NO.	
						SEE TABLE		SD-73940-001	
						MATERIAL NO.		DRAWING NO.	
						SEE TABLE		SD-73940-001	
						MATERIAL NO.		DRAWING NO.	
						SEE TABLE		SD-73940-001	
						MATERIAL NO.		DRAWING NO.	
						SEE TABLE		SD-73940-001	
						MATERIAL NO.		DRAWING NO.	
						SEE TABLE		SD-73940-001	
						MATERIAL NO.		DRAWING NO.	
						SEE TABLE		SD-73940-001	
						MATERIAL NO.		DRAWING NO.	
						SEE TABLE		SD-73940-001	
						MATERIAL NO.		DRAWING NO.	
						SEE TABLE		SD-73940-001	
						MATERIAL NO.		DRAWING NO.	
						SEE TABLE		SD-73940-001	
						MATERIAL NO.		DRAWING NO.	
						SEE TABLE		SD-73940-001	
						MATERIAL NO.		DRAWING NO.	
						SEE TABLE		SD-73940-001	
						MATERIAL NO.		DRAWING NO.	
						SEE TABLE		SD-73940-001	
						MATERIAL NO.		DRAWING NO.	
						SEE TABLE		SD-73940-001	
						MATERIAL NO.		DRAWING NO.	
						SEE TABLE		SD-73940-001	
						MATERIAL NO.		DRAWING NO.	
						SEE TABLE		SD-73940-001	
						MATERIAL NO.		DRAWING NO.	
						SEE TABLE		SD-73940-001	
						MATERIAL NO.		DRAWING NO.	
						SEE TABLE		SD-73940-001	
						MATERIAL NO.		DRAWING NO.	
						SEE TABLE		SD-73940-001	
						MATERIAL NO.		DRAWING NO.	
						SEE TABLE		SD-73940-001	
						MATERIAL NO.		DRAWING NO.	
						SEE TABLE		SD-73940-001	
						MATERIAL NO.		DRAWING NO.	
						SEE TABLE		SD-73940-001	
						MATERIAL NO.		DRAWING NO.	
						SEE TABLE		SD-73940-001	
						MATERIAL NO.		DRAWING NO.	
						SEE TABLE		SD-73940-001	
						MATERIAL NO.		DRAWING NO.	
						SEE TABLE		SD-73940-001	
						MATERIAL NO.		DRAWING NO.	
						SEE TABLE		SD-73940-001	
						MATERIAL NO.		DRAWING NO.	
						SEE TABLE		SD-73940-001	
						MATERIAL NO.		DRAWING NO.	
						SEE TABLE		SD-73940-001	
						MATERIAL NO.		DRAWING NO.	
						SEE TABLE		SD-73940-001	
						MATERIAL NO.		DRAWING NO.	
						SEE TABLE		SD-73940-001	
						MATERIAL NO.		DRAWING NO.	
						SEE TABLE		SD-73940-001	
						MATERIAL NO.		DRAWING NO.	
						SEE TABLE		SD-73940-001	
						MATERIAL NO.		DRAWING NO.	
						SEE TABLE		SD-73940-001	
						MATERIAL NO.		DRAWING NO.	
						SEE TABLE		SD-73940-001	
						MATERIAL NO.		DRAWING NO.	
						SEE TABLE		SD-73940-001	
						MATERIAL NO.		DRAWING NO.	
						SEE TABLE		SD-73940-001	
						MATERIAL NO.		DRAWING NO.	
						SEE TABLE		SD-73940-001	
						MATERIAL NO.		DRAWING NO.	
						SEE TABLE		SD-73940-001	
						MATERIAL NO.		DRAWING NO.	
						SEE TABLE		SD-73940-001	
						MATERIAL NO.		DRAWING NO.	
						SEE TABLE		SD-73940-001	
						MATERIAL NO.		DRAWING NO.	
						SEE TABLE		SD-73940-001	
						MATERIAL NO.		DRAWING NO.	
						SEE TABLE		SD-73940-001	
						MATERIAL NO.		DRAWING NO.	
						SEE TABLE		SD-73940-001	
						MATERIAL NO.		DRAWING NO.	
						SEE TABLE		SD-73940-001	
						MATERIAL NO.		DRAWING NO.	
						SEE TABLE		SD-73940-001	
						MATERIAL NO.		DRAWING NO.	
						SEE TABLE		SD-73940-001	
						MATERIAL NO.		DRAWING NO.	
						SEE TABLE		SD-73940-001	
						MATERIAL NO.		DRAWING NO.	
						SEE TABLE		SD-73940-001	
						MATERIAL NO.		DRAWING NO.	
						SEE TABLE		SD-73940-001	